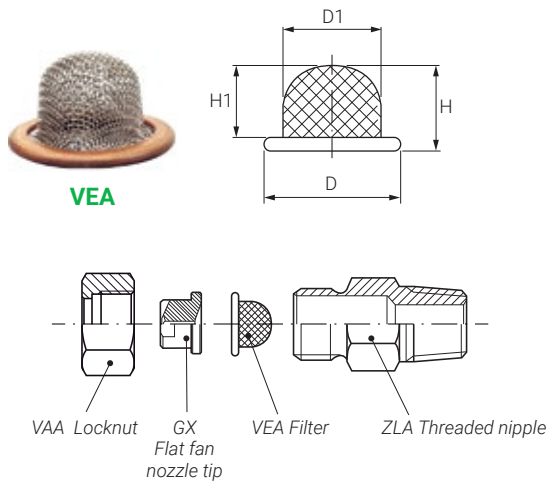


# VEA (HAT FILTERS)



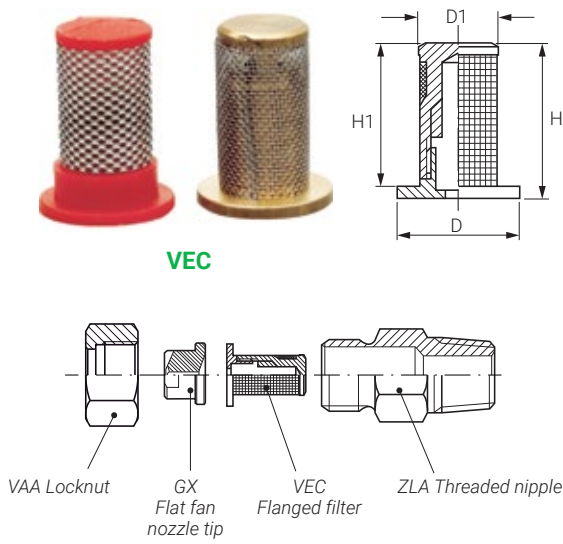
## HAT FILTERS

VEA series hat-shaped check-valve filters are specially designed for 3/8" flanged nozzles. They are drip-free and protect the nozzle tips. We recommend to assemble filters with check-valve on small capacity nozzles to avoid clogging and enhance their performance.

MESH NUMBER 50, 75, 100 mesh  
 MATERIAL Collar **T33** Copper + AISI 316  
 Wire net **B3** AISI 316 Stainless Steel  
**Typical application** Filtering before spraying liquids

CODE	D mm	D1 mm	H mm	H1 mm	M mesh	Nozzle code
<b>VEA 0138 T9</b>	14.5	9.5	8.5	7.3	100	GX BX
<b>VEA 0238 T9</b>					75	FX
<b>VEA 0338 T9</b>					50	KX

# VEC (FLANGED FILTERS)



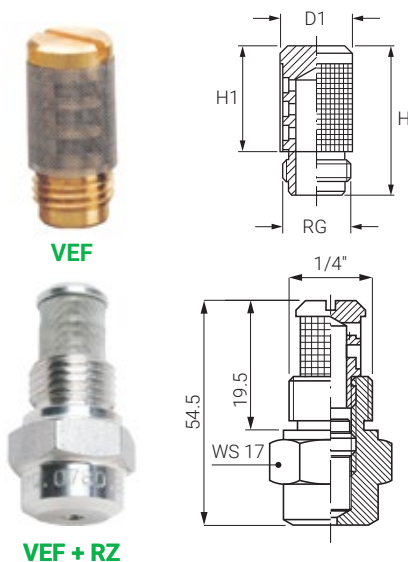
## FLANGED FILTERS

VEC check-valve filters are specially designed for 3/8" flanged nozzles. They are drip-free and protect the nozzle tips. We recommend to assemble these filters on small capacity nozzles to avoid clogging and enhance their performance.

MATERIAL Body **B1** AISI 303 Stainless Steel  
**B31** AISI 316L Stainless Steel  
**D3** Nylon  
**T1** Brass  
 Wired net **B2** AISI 304 Stainless Steel  
**TYPICAL APPLICATION** Filtering before spraying liquids

CODE	D mm	D1 mm	H mm	H1 mm	M mesh	Nozzle code
<b>VEC 0138 xx</b>	15.0	10.0	20.0	18.5	100	GX BX
<b>VEC 0238 xx</b>					75	FX
<b>VEC 0338 xx</b>					50	KX

# VEF (THREADED FILTERS)



## THREADED FILTERS

VEF threaded filters are specially designed for 1/4" J series flat fan nozzles and RX/RZ hollow cone nozzles. They provide a top filtering action and protect nozzle tips. We recommend to assemble threaded filters on small capacity nozzles to avoid clogging and enhance their performance.

THREAD SIZE 3/8" UNF, M7, M8  
 MESH NUMBER 50, 75, 100 mesh  
 MATERIAL Body **B1** AISI 303 Stainless Steel  
**B31** AISI 316L Stainless Steel  
**T1** Brass  
 Wired net **B2** AISI 304 Stainless Steel  
**TYPICAL APPLICATION** Filtering before spraying liquids

CODE	D1 mm	RG inch	H mm	H1 mm	M mesh	Nozzle code
<b>VEF 0112 xx</b>	10.0	M8	16.0	12.0	100	RX, RZ
<b>VEF 0138 xx</b>	10.2	3/8"UNF	21.0	15.0	100	JB(1/4")
<b>VEF 0238 xx</b>					75	
<b>VEF 0338 xx</b>					50	
<b>VEF 0411 xx</b>	8.1	M7	15.7	13.2	120	JA(1/8")

# ( CHECK-VALVE FILTERS ) VED

## CHECK-VALVE FILTERS

VED series check-valve filters are specially designed for 3/8" flanged nozzles. VED filters contain a one-way ball valve to avoid dripping when spray is turned off. They also serve to protect the nozzle tips. We recommend to assemble check-valve filters on small capacity nozzles to avoid clogging and enhance their performance.

OPENING PRESSURE	0.35, 0.70, 1.40, 2.00, 2.80 bar
WIRE NET MESH SIZE	50, 80, 100 mesh
MATERIAL	Body
	<b>B1</b> AISI 303 Stainless Steel
	<b>B31</b> AISI 316L Stainless Steel
	<b>D3</b> Nylon
	<b>T1</b> Brass
Wire net	<b>B2</b> AISI 304 Stainless Steel

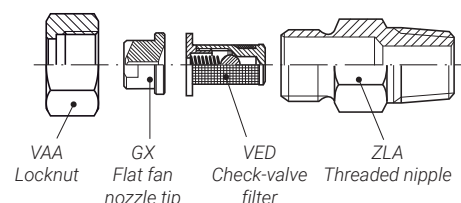
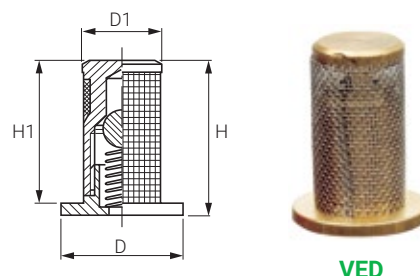


Table for body material: AISI 303, AISI 316L, brass

CODE	D mm	D1 mm	H mm	H1 mm	M mesh	Opening bar
VED 0138 xxA	15.0	10.0	20.0	18.5	100	0.35
VED 0238 xxA	15.0	10.0	20.0	18.5	80	0.35
VED 0338 xxA	15.0	10.0	20.0	18.5	50	0.35
VED 0138 xxB	15.0	10.0	20.0	18.5	100	0.70
VED 0238 xxB	15.0	10.0	20.0	18.5	80	0.70
VED 0338 xxB	15.0	10.0	20.0	18.5	50	0.70
VED 0138 xxC	15.0	10.0	20.0	18.5	100	1.40
VED 0238 xxC	15.0	10.0	20.0	18.5	80	1.40
VED 0338 xxC	15.0	10.0	20.0	18.5	50	1.40
VED 0138 xxD	15.0	10.0	20.0	18.5	100	2.80
VED 0238 xxD	15.0	10.0	20.0	18.5	80	2.80
VED 0338 xxD	15.0	10.0	20.0	18.5	50	2.80

## CARTRIDGE SIZE TABLE

To figure out mesh sizes one has to count the number of openings from the centre of any one wire to the centre of a parallel wire one inch away. The number of openings in a filter cartridge is the mesh size. We highly recommend to add filters to small capacity nozzles to hold fine particulate matter.

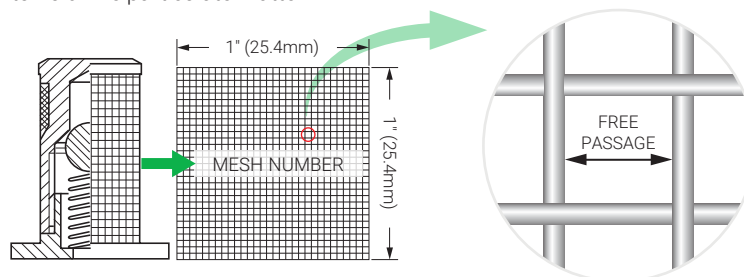


Table for body material: nylon

CODE	D mm	D1 mm	H mm	H1 mm	M mesh	Opening bar
VED 0138 xxB	15.0	10.0	20.0	18.5	100	0.70
VED 0238 xxB	15.0	10.0	20.0	18.5	80	0.70
VED 0338 xxB	15.0	10.0	20.0	18.5	50	0.70
VED 0138 xxE	15.0	10.0	20.0	18.5	100	2.00
VED 0338 xxE	15.0	10.0	20.0	18.5	50	2.00





## HOW TO CHOSE THE PROPER FILTER?

The largest filter free passage < nozzle orifice

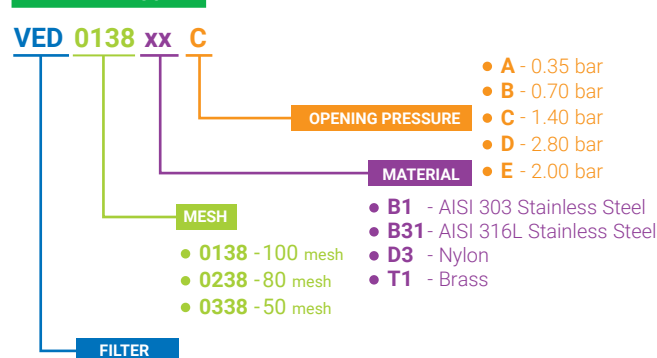
MESH NUMBER	Free passage mm
30 - 32	0.6 - 0.58
50	0.30
60	0.25
75	0.20
80	0.18
100	0.15
150	0.10
200	0.075

If the nozzle tip diameter is 0.3 mm, we suggest you to choose a 60 mesh filter or more (free passage 0.25 mm). Please consider that the higher is the number of mesh, the greater is the filtering power.

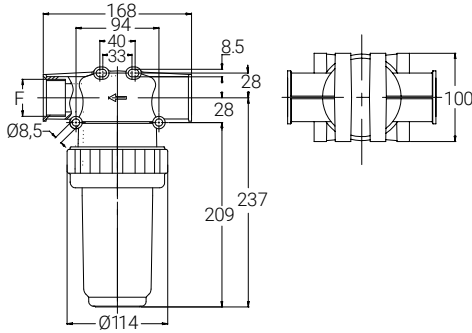
We offer a large assortment of VE series filters for your convenience.

CODE	VEC	VED	VEF	VEA
<b>Appearance</b>				
	Flanged	Check-valve	Threaded	Hat
<b>B1</b> AISI 303	•	•	•	
<b>B31</b> AISI 316L	•	•	•	
<b>D3</b> Nylon	•	•	•	
<b>T1</b> Brass	•	•	•	
<b>T9</b> Copper				•

## HOW TO MAKE UP THE FILTER CODE



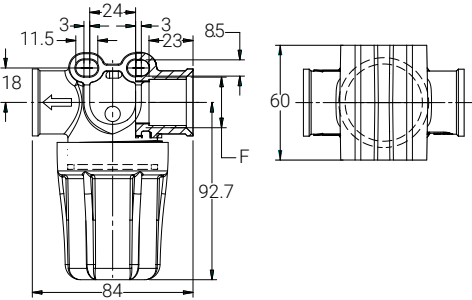
# VEH ( PLASTIC BODY FILTERS )



## PLASTIC BODY FILTERS

VEH filters with plastic body are a rational and economic solution for most operating environments. The threaded coupling between bowl and head allows a quick filter cleaning and easy replacement of the cartridge and no need of tools. They have a high particles retention and are durable.

INLET/OUTLET THREAD SIZE 1/2", 3/4", 1", 1 1/4", 1 1/2"  
 MAX STEAM PRESSURE LP from 10 bar to 15 bar  
 CAPACITY LQ 280 l/min  
 MATERIAL Body **D6** Polypropylene + 30% Glass fiber  
 Seal **E0** EPDM  
 Cartridge **B2** AISI 304 Stainless Steel  
 TYPICAL APPLICATION Filtering before spraying liquids



CODICE	RF poll. BSPP	H mm	H1 mm	L mm	Q l/min	Cartuccia	M mesh
8105037 VEH 0051 D25*	1/2"	110,7	92,7	84	55		50
8105039 VEH 0052 D25*							100
8105000 VEH 0050 D21	1/2"	126,0	108	127	80	XVE H450 D21T	32
8105001 VEH 0051 D21						XVE H451 D21T	50
8105003 VEH 0052 D21						XVE H452 D21T	100
8105024 VEH 0075 D21	3/4"	126,0	108	127	100	XVE H450 D21T	32
8105025 VEH 0076 D21						XVE H451 D21T	50
8105027 VEH 0077 D21						XVE H452 D21T	100
8121000 VEH 0125 D21	1 1/4"	265,0	237	168	200	XVE HA60 DA2	32
8121001 VEH 0126 D21						XVE HA61 DA2	50
8121003 VEH 0127 D21						XVE HA62 DA2	100
8121004 VEH 0150 D21	1 1/2"	265,0	237	168	280	XVE HA60 DA2	32
8121005 VEH 0151 D21						XVE HA61 DA2	50
8121007 VEH 0152 D21						XVE HA62 DA2	100

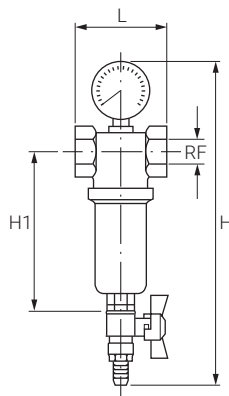
### HOW TO MAKE UP THE FILTER CODE

EX.: VEH 0050 D21

VEH 0050 D21



# VEL ( BRASS BODY FILTERS )



## BRASS BODY FILTERS

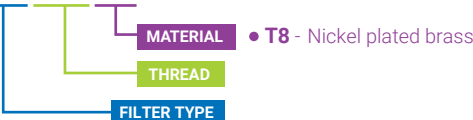
VEL type filters with body in brass are the ideal solution for small plants requiring easy cleaning and maintenance. When necessary, simply open the valve at the bottom of the filter and the dirt contained inside the cartridge is easily expelled. A manometer on the filter head shows the outlet pressure hence pressure drop when clogged.

INLET/OUTLET THREAD SIZE 1/2", 3/4", 1", 1 1/4", 1 1/2", 2"  
 MAX OPERATION TEMPERATURE LT 100°C  
 MAX STEAM PRESSURE LP 16 bar  
 MATERIAL BODY **T8** Nickel plated brass  
 CARTRIDGE **B2** AISI 304 Stainless Steel  
 TYPICAL APPLICATION Filtering before spraying liquids

### HOW TO MAKE UP THE FILTER CODE

EX.: VEL 0039 T8

VEL 0039 T8

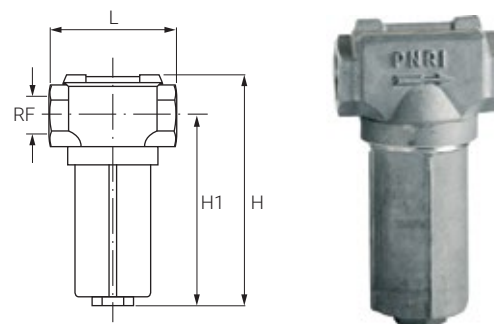


CODE	RF inch BSPP	H mm	H1 mm	L mm	Q l/min	Cartridge	M mesh
VEL 0039 T8	3/8"	285	133	50	14	XVE L171 B2	150
VEL 0051 T8	1/2"	288	136	56	25		
VEL 0076 T8	3/4"	287	132	67	38	XVE L172 B2	
VEL 0101 T8	1"	295	137	80	72		
VEL 0126 T8	1 1/4"	343	169	92	118	XVE L200 B2	
VEL 0151 T8	1 1/2"	356	179	110	178	XVE L201 B2	
VEL 0201 T8	2"	362	179	110	213		

( LARGE CAPACITY FILTERS ) **VEM**

LARGE CAPACITY FILTERS

VEM filters are specially designed for high particle retention, easy maintenance and great efficiency in harsh operating conditions. Their bowl houses a large size cartridge for a longer operating life and reduced servicing times. The threaded connection to the filter body allows a quick removal with no need of tools. A plug placed at the bottom of the bowl allows to fit in a ball valve to purge the filter.



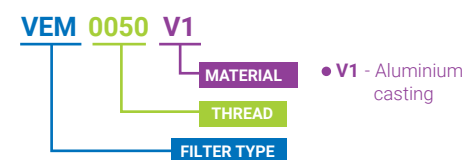
THREAD SIZE 1/2", 3/4", 1", 1 1/4", 1 1/2", 2", 2 1/2", 3"  
 WIRE NET MESH SIZE 60, 80 mesh  
 MAX WORKING PRESSURE LP 40 bar  
 MATERIAL Body & bowl **V1** Aluminium casting  
 Cartridge **B2** AISI 304 Stainless Steel  
 TYPICAL APPLICATION Filtering before spraying liquids

MESH NUMERO	Free passage mm
30 - 32	0.6 - 0.58
50	0.3
60	0.25
75	0.2
80	0.18
100	0.15
150	0.1
200	0.075

CODE	RF inch BSPP	H mm	H1 mm	L mm	LP bar	Q l/min	Cartridge	M mesh	kg
VEM 0050 V1	1/2"	210	152	105	40	70	XVE M075 B2	60	0.9
VEM 0051 V1							XVE M076 B2	80	
VEM 0075 V1	3/4"	210	152	105	40	95	XVE M075 B2	60	
VEM 0076 V1							XVE M076 B2	80	
VEM 0100 V1	1"	210	152	105	40	140	XVE M075 B2	60	
VEM 0101 V1							XVE M076 B2	80	
VEM 0125 V1	1 1/4"	270	210	140	30	280	XVE M150 B2	60	1.6
VEM 0126 V1							XVE M151 B2	80	
VEM 0150 V1	1 1/2"	270	210	140	30	315	XVE M150 B2	60	
VEM 0151 V1							XVE M151 B2	80	
VEM 0200 V1	2"	400	318	200	10	750	XVE M300 B2	30	5.6
VEM 0201 V1							XVE M301 B2	60	
VEM 0202 V1							XVE M302 B2	80	
VEM 0250 V1	2 1/2"	400	318	200	10	810	XVE M300 B2	30	
VEM 0251 V1							XVE M301 B2	60	
VEM 0252 V1							XVE M302 B2	80	
VEM 0300 V1	3"	400	318	200	10	1050	XVE M300 B2	30	
VEM 0301 V1							XVE M301 B2	60	
VEM 0302 V1							XVE M302 B2	80	

HOW TO MAKE UP THE FILTER CODE

EX.: VEM 0050 V1



( "Y" STYLE FILTER ) **VEQ**

"Y" STYLE FILTER

VEQ xxGF B3G filter is widely used in all types of nozzles filtering systems. It allows for quick cleaning and replacement with no need of tools.

INLET/OUTLET THREAD SIZE 1/2", 3/4", 1"  
 MESH 60 Mesh  
 MAX OPERATION TEMPERATURE LT 40°C  
 MAX OPERATION PRESSURE LP 10 bar  
 MAX CAPACITY LQ 80 l/min  
 MATERIALI Body **D6** PP, chemically bonded fiberglass  
 Cartridge **B3** AISI 304 Stainless Steel  
 TYPICAL APPLICATION Filtering before spraying liquids

