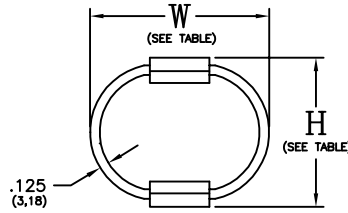
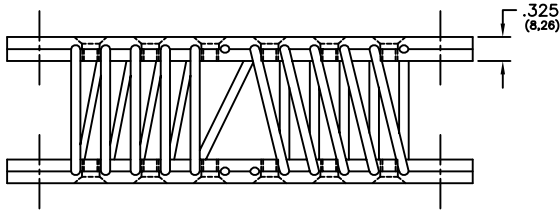
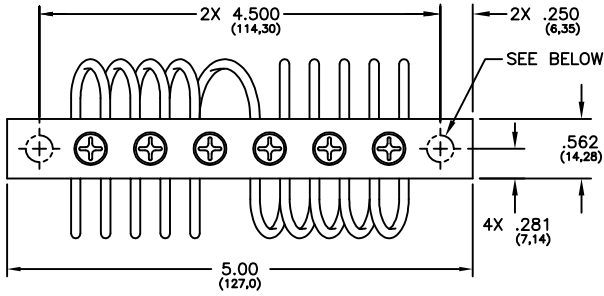


DESIGN DATA

**M4 SERIES**  
SHOCK & VIBRATION ISOLATORS

1/8" DIAMETER CABLE



**FEATURES:**

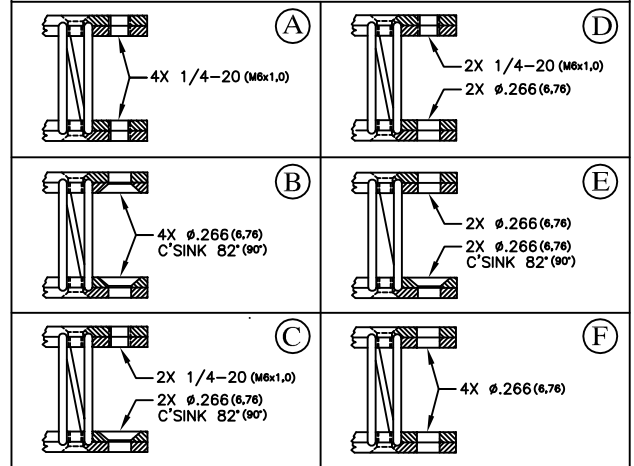
- RUGGED ALL METAL CONSTRUCTION
- UNEQUALLED TEMP. RANGE: -200°F TO 500°F
- THREE AXIS CAPABILITY
- MAINTENANCE FREE
- FAIL SAFE DESIGN
- HIGH DAMPING: C/Cc ≈ .20
- EXCEPTIONAL RELIABILITY AND LONG LIFE

**MATERIALS/FINISHES:**

- CABLE: 300 SERIES SS PER MIL-W-83420 OR RR-W-410
- SCREWS: 300 SERIES SS PER MS51959-42
- INSERTS: 300 SERIES SS (ALUM BARS ONLY)
- RETAINER BARS: SEE BELOW

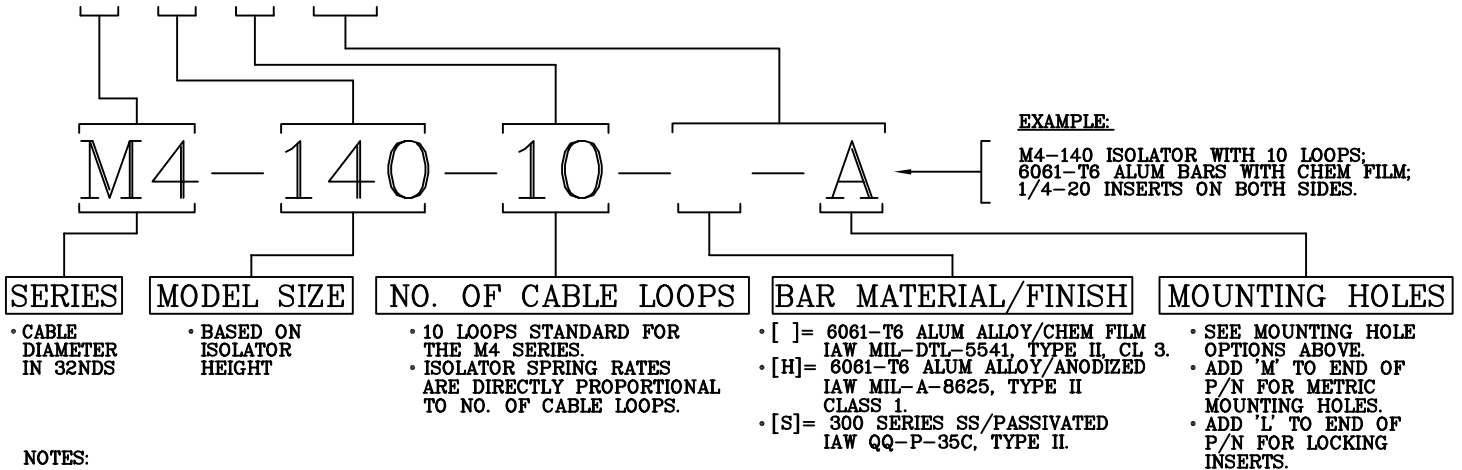
PART NUMBER	DIMENSIONS, in.		ISOLATOR WEIGHT (SEE NOTE 3)
	H ±.03	W (REF)	
M4 - 110 - 10 - [ ]	1.10 (27,9)	1.40 (35,8)	.26lbs (.12kg)
M4 - 120 - 10 - [ ]	1.20 (30,5)	1.50 (38,1)	.26lbs (.12kg)
M4 - 130 - 10 - [ ]	1.30 (33,0)	1.60 (40,8)	.29lbs (.13kg)
M4 - 140 - 10 - [ ]	1.40 (35,8)	1.70 (43,2)	.29lbs (.13kg)
M4 - 150 - 10 - [ ]	1.50 (38,1)	1.80 (45,7)	.29lbs (.13kg)
M4 - 160 - 10 - [ ]	1.60 (40,8)	1.90 (48,2)	.30lbs (.14kg)

**MOUNTING HOLE OPTIONS**



**EXAMPLE:**

M4-140 ISOLATOR WITH 10 LOOPS; 6061-T6 ALUM BARS WITH CHEM FILM; 1/4-20 INSERTS ON BOTH SIDES.



SERIES	MODEL SIZE	NO. OF CABLE LOOPS	BAR MATERIAL/FINISH	MOUNTING HOLES
• CABLE DIAMETER IN 32NDS	• BASED ON ISOLATOR HEIGHT	• 10 LOOPS STANDARD FOR THE M4 SERIES. • ISOLATOR SPRING RATES ARE DIRECTLY PROPORTIONAL TO NO. OF CABLE LOOPS.	• [ ] = 6061-T6 ALUM ALLOY/CHEM FILM IAW MIL-DTL-5541, TYPE II, CL 3. • [H] = 6061-T6 ALUM ALLOY/ANODIZED IAW MIL-A-8625, TYPE II CLASS 1. • [S] = 300 SERIES SS/PASSIVATED IAW QQ-P-35C, TYPE II.	• SEE MOUNTING HOLE OPTIONS ABOVE. • ADD 'M' TO END OF P/N FOR METRIC MOUNTING HOLES. • ADD 'L' TO END OF P/N FOR LOCKING INSERTS.

**NOTES:**

- 1) ALL DIMENSIONS IN PARENTHESIS ARE METRIC (mm).
- 2) SPECIALS AVAILABLE UPON REQUEST (MATERIALS, SIZE, MOUNTING HOLES, FINISH, ETC...)
- 3) ADD .26lbs (.12kg) TO ISOLATOR WEIGHT FOR ALL-STAINLESS STEEL VERSIONS.