

FEATURES:

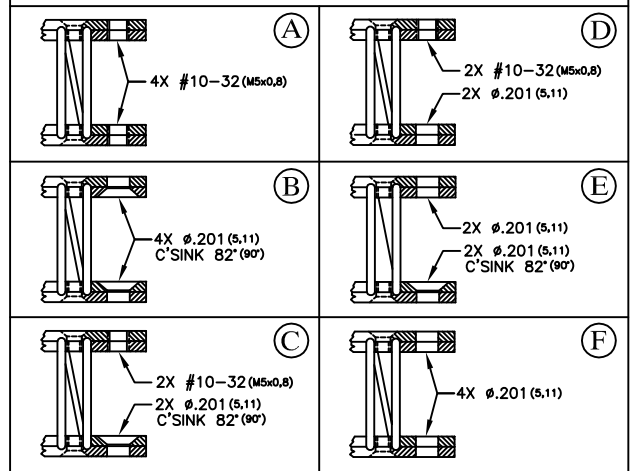
- RUGGED ALL METAL CONSTRUCTION
- UNEQUALLED TEMP. RANGE: -200°F TO 500°F
- THREE AXIS CAPABILITY
- MAINTENANCE FREE
- FAIL SAFE DESIGN
- HIGH DAMPING: C/Cc ≈ .20
- EXCEPTIONAL RELIABILITY AND LONG LIFE

MATERIALS/FINISHES:

- CABLE: 300 SERIES SS PER MIL-W-83420 OR RR-W-410
- SCREWS: 300 SERIES SS PER MS51959-26
- INSERTS: 300 SERIES SS (ALUM BARS ONLY)
- RETAINER BARS: SEE BELOW

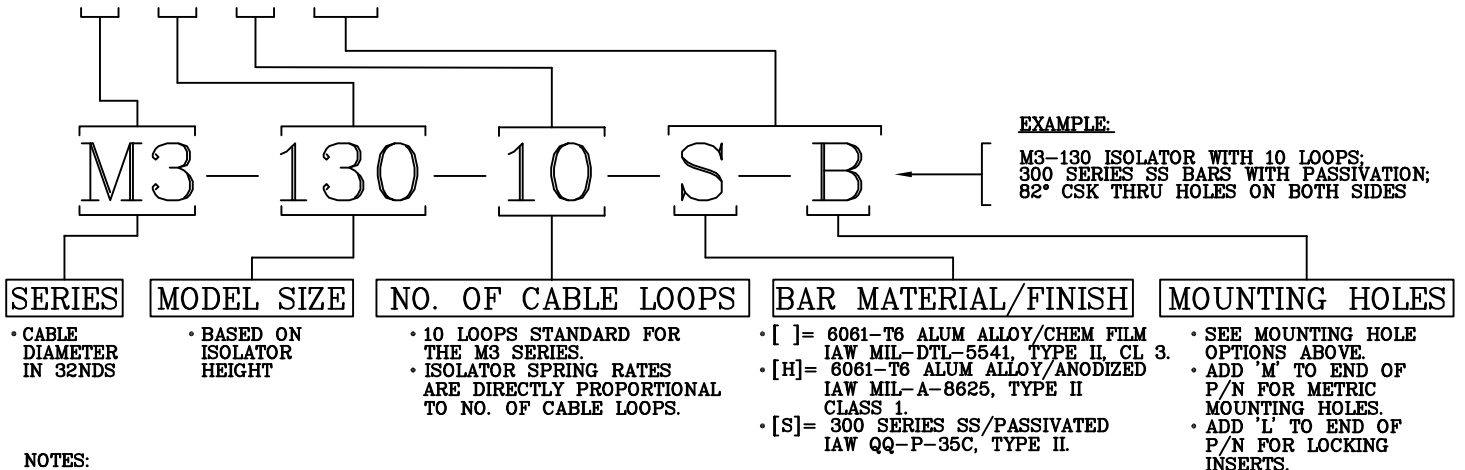
PART NUMBER	DIMENSIONS, in.		ISOLATOR WEIGHT (SEE NOTE 3)
	H ±.03	W (REF)	
M3 - 090 - 10 - []	0.90 (22,9)	1.10 (27,9)	.14lbs (.06kg)
M3 - 100 - 10 - []	1.00 (25,4)	1.20 (30,5)	.15lbs (.07kg)
M3 - 110 - 10 - []	1.10 (27,9)	1.30 (33,0)	.15lbs (.07kg)
M3 - 130 - 10 - []	1.30 (33,0)	1.50 (38,1)	.16lbs (.07kg)
M3 - 140 - 10 - []	1.40 (35,6)	1.60 (40,6)	.17lbs (.08kg)
M3 - 150 - 10 - []	1.50 (38,1)	1.70 (43,2)	.18lbs (.08kg)

MOUNTING HOLE OPTIONS



EXAMPLE:

M3-130 ISOLATOR WITH 10 LOOPS; 300 SERIES SS BARS WITH PASSIVATION; 82° CSK THRU HOLES ON BOTH SIDES



SERIES	MODEL SIZE	NO. OF CABLE LOOPS	BAR MATERIAL/FINISH	MOUNTING HOLES
• CABLE DIAMETER IN 32NDS	• BASED ON ISOLATOR HEIGHT	• 10 LOOPS STANDARD FOR THE M3 SERIES. • ISOLATOR SPRING RATES ARE DIRECTLY PROPORTIONAL TO NO. OF CABLE LOOPS.	• [] = 6061-T6 ALUM ALLOY/CHEM FILM IAW MIL-DTL-5541, TYPE II, CL 3. • [H] = 6061-T6 ALUM ALLOY/ANODIZED IAW MIL-A-8625, TYPE II CLASS 1. • [S] = 300 SERIES SS/PASSIVATED IAW QQ-P-35C, TYPE II	• SEE MOUNTING HOLE OPTIONS ABOVE. • ADD 'M' TO END OF P/N FOR METRIC MOUNTING HOLES. • ADD 'L' TO END OF P/N FOR LOCKING INSERTS.

NOTES:

- 1) ALL DIMENSIONS IN PARENTHESIS ARE METRIC (mm).
- 2) SPECIALS AVAILABLE UPON REQUEST (MATERIALS, SIZE, MOUNTING HOLES, FINISH, ETC...)
- 3) ADD .17lbs (.08kg) TO ISOLATOR WEIGHT FOR ALL-STAINLESS STEEL VERSIONS.